



Atlanta, Georgia

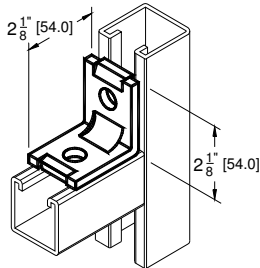
Phone 800-521-7326

Fax 770-745-1333

**90 Degree "L" Angle Fittings EG
Electro Galvanized (Zinc Plated)**

L10

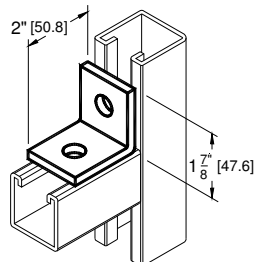
2 Hole No Twist Corner Angle



Catalog Number L10 0000EG

L11

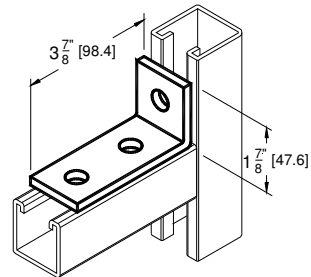
2 Hole Corner Angle



Catalog Number L11 0000EG

L12

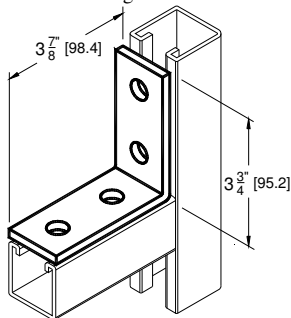
3 Hole Corner Angle



Catalog Number L12 0000EG

L13

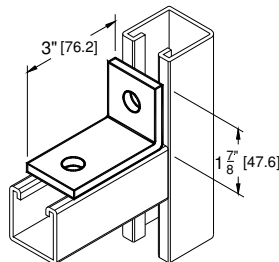
4 Hole Corner Angle



Catalog Number L13 0000EG

L14

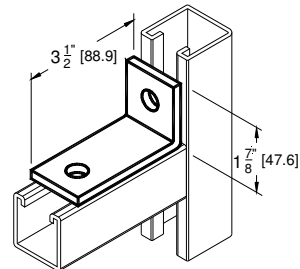
2 Hole 3" Corner Angle



Catalog Number L14 0000EG

L15

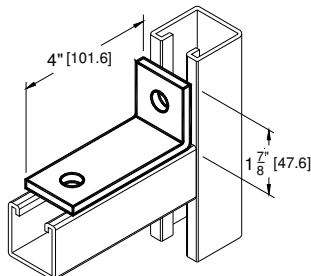
2 Hole 3-1/2" Corner Angle



Catalog Number L15 0000EG

L16

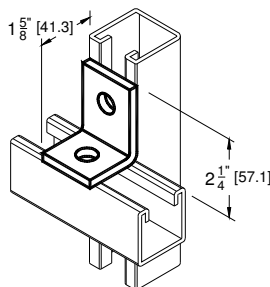
2 Hole 4" Corner Angle



Catalog Number L16 0000EG

L20

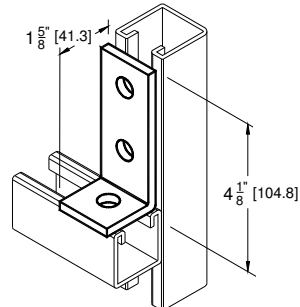
2 Hole Cross Corner Angle



Catalog Number L20 0000EG

L21

3 Hole Corner Angle

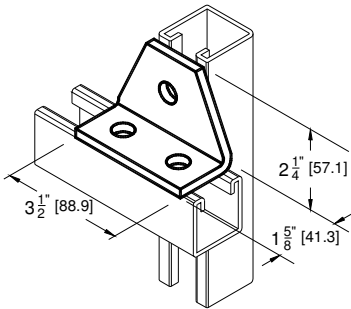


Catalog Number L21 0000EG

Material is 1-5/8" [41.3] wide x 1/4" [6.3] thick unless specified. Holes are 9/16" (14.3) diameter, 13/16" [20.6] center to edge on 1-7/8" [47.6] centers unless specified.

L22

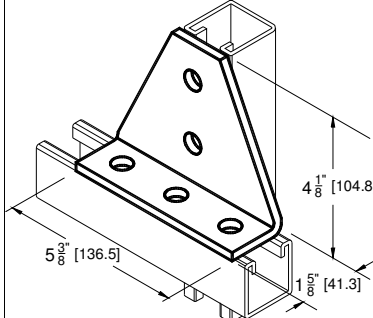
3 Hole Cross Gusset Corner Angle



Catalog Number L22 0000EG

L23

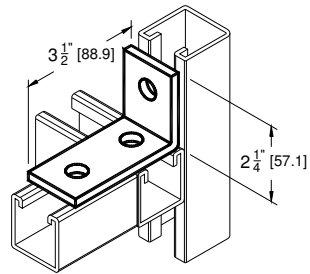
5 Hole Cross Gusset Corner Angle



Catalog Number L23 0000EG

L30

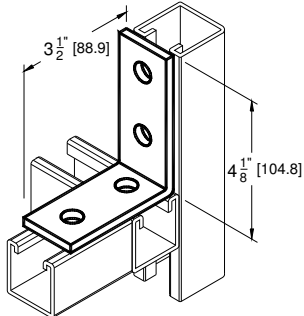
3 Hole 3 Way Corner Angle



Catalog Number L30 0000EG

L31

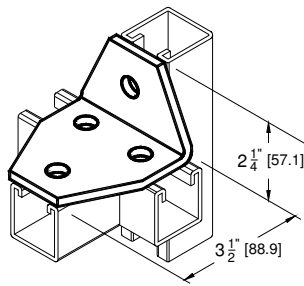
4 Hole 3 Way Corner Angle



Catalog Number L31 0000EG

L32

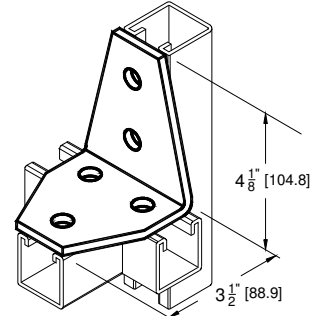
4 Hole 3 Way Gusset Corner Angle



Catalog Number L32 0000EG

L33

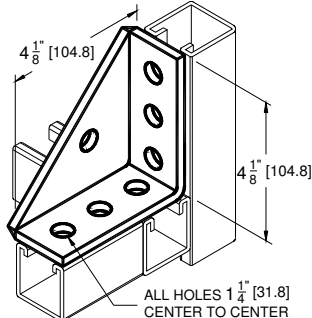
5 Hole 3 Way Gusset Corner Angle



Catalog Number L33 0000EG

L34

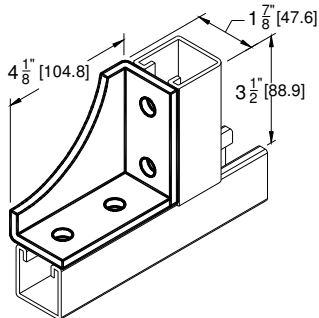
7 Hole Universal Gusset Corner Angle



Catalog Number L34 0000EG

L35

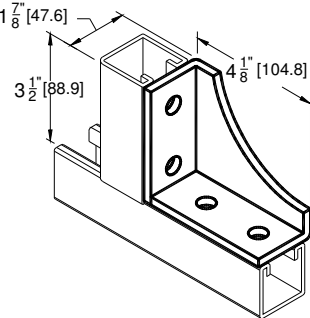
4 Hole Gusset Corner Angle Left



Catalog Number L35 0000EG

L36

4 Hole Gusset Corner Angle Right

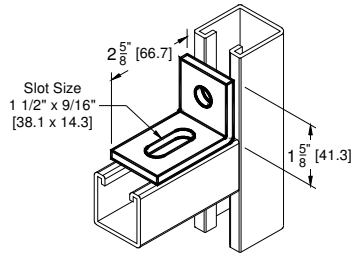


Catalog Number L36 0000EG

Material is 1-5/8" [41.3] wide x 1/4" [6.3] thick unless specified. Holes are 9/16" (14.3) diameter, 13/16" [20.6] center to edge on 1-7/8" [47.6] centers unless specified.

L40

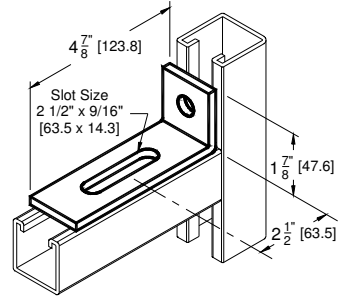
2 Hole 2-5/8" Adjustable Corner Angle



Catalog Number L40 0000EG

L41

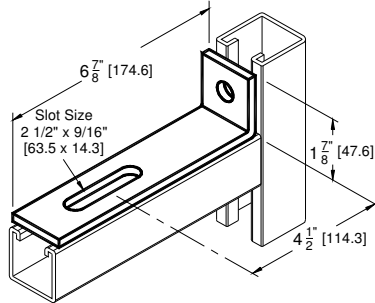
2 Hole 4-7/8" Adjustable Corner Angle



Catalog Number L41 0000EG

L42

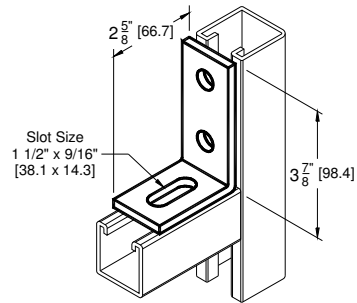
2 Hole 6-7/8" Adjustable Corner Angle



Catalog Number L42 0000EG

L43

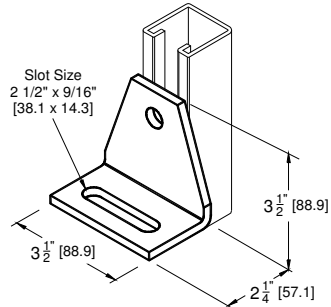
3 Hole Adjustable Corner Angle



Catalog Number L43 0000EG

L44

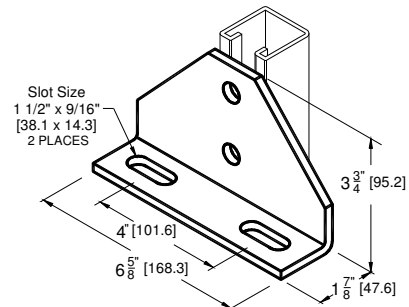
2 Hole Adjustable Gusset Corner Angle



Catalog Number L44 0000EG

L45

4 Hole 6-5/8" Adjustable Gusset Corner Angle

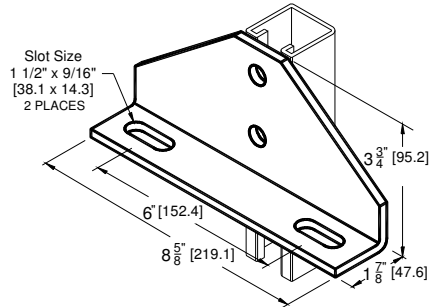


Catalog Number L45 0000EG

Material is 1-5/8" [41.3] wide x 1/4" [6.3] thick unless specified. Holes are 9/16" (14.3) diameter, 13/16" [20.6] center to edge on 1-7/8" [47.6] centers unless specified.

L46

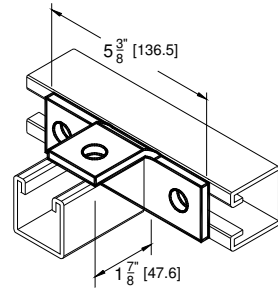
4 Hole 8-5/8" Adjustable Corner Angle



Catalog Number L46 0000EG

L50

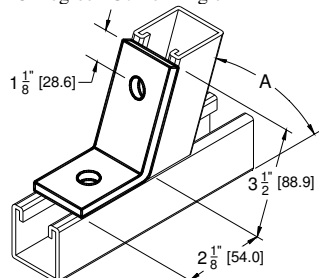
4 Hole Offset Corner Angle



Catalog Number L50 0000EG

L60

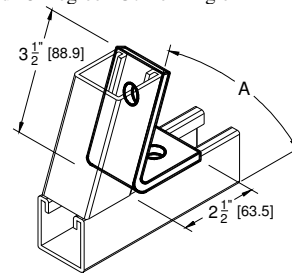
2 Hole Open 45 Degree* Corner Angle



**"A" is available in any angle up to 90°
Dimensions shown may vary based on specified angle "A"
Catalog Number L60 0000EG

L61

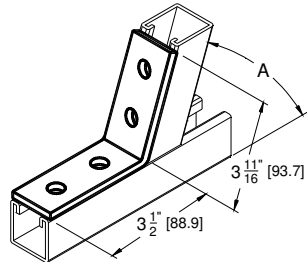
2 Hole Closed 45 Degree* Corner Angle



**"A" is available in any angle up to 90°
Dimensions shown may vary based on specified angle "A"
Catalog Number L61 0000EG

L62

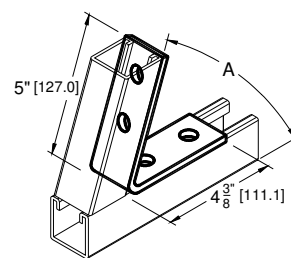
4 Hole Open 45 Degree* Corner Angle



**"A" is available in any angle up to 90°
Dimensions shown may vary based on specified angle "A"
Catalog Number L62 0000EG

L63

4 Hole Closed 45 Degree* Corner Angle

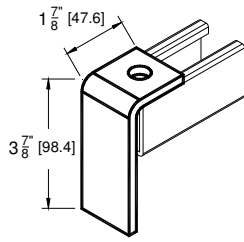


**"A" is available in any angle up to 90°
Dimensions shown may vary based on specified angle "A"
Catalog Number L63 0000EG

Material is 1-5/8" [41.3] wide x 1/4" [6.3] thick unless specified. Holes are 9/16" (14.3) diameter, 13/16" [20.6] center to edge on 1-7/8" [47.6] centers unless specified.

L70

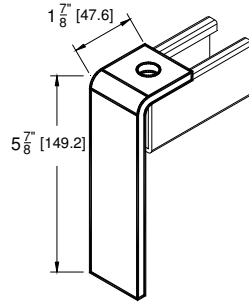
1 Hole 3-7/8" Corner Angle



Catalog Number L70 0000EG

L71

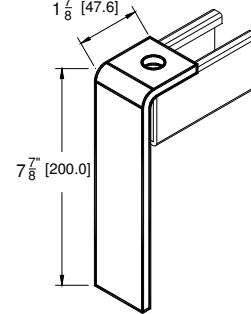
1 Hole 5-7/8" Corner Angle



Catalog Number L71 0000EG

L72

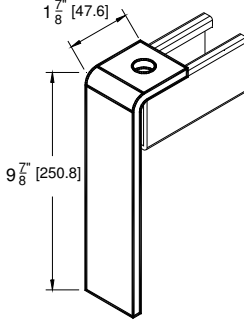
1 Hole 7-7/8" Corner Angle



Catalog Number L72 0000EG

L73

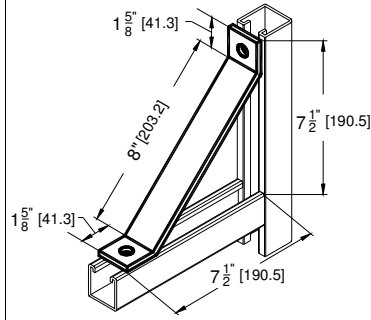
1 Hole 9-7/8" Corner Angle



Catalog Number L73 0000EG

L80

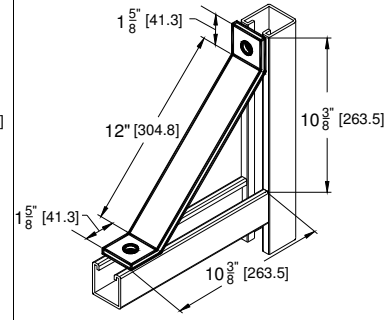
8" Angle Brace



Catalog Number L80 0000EG

L81

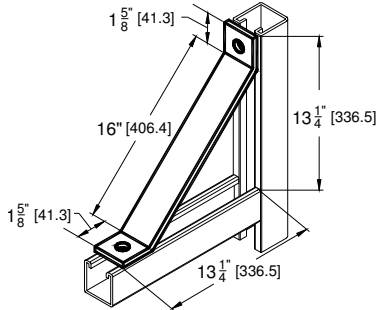
12" Angle Brace



Catalog Number L81 0000EG

L82

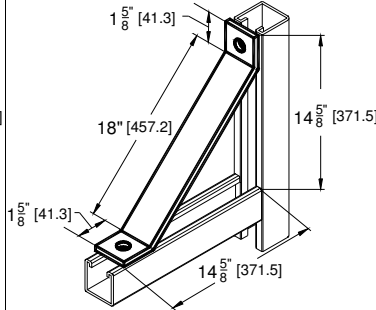
16" Angle Brace



Catalog Number L82 0000EG

L83

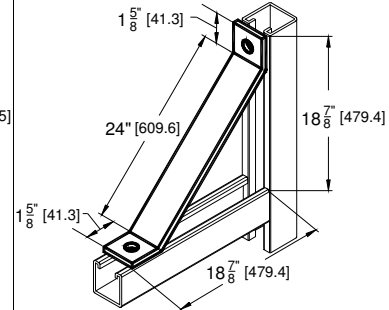
18" Angle Brace



Catalog Number L83 0000EG

L84

24" Angle Brace



Catalog Number L84 0000EG

Material is 1-5/8" [41.3] wide x 1/4" [6.3] thick unless specified. Holes are 9/16" (14.3) diameter, 13/16" [20.6] center to edge on 1-7/8" [47.6] centers unless specified.